

100 Series Starter Kit

Item #: 10100



The Revlite 10100 is the starter kit for a professional landscape lighting contractor that is easy enough to install that it can be sold as DIY. The 10100 is a complete kit that comes with a step-down power supply which converts the mains or line current of 110-240VAC to 12 VAC, a waterproof control box, 10 LED light fixtures (with 3 ft. cables), a 1/8" drill bit for wood or plastic and a complete set of instructions.

Each of the lighting units is completely waterproof allowing for installation in wet environments. Further the housing of each unit is machined from T316 Marine grade stainless steel ensuring that they can be used in corrosive marine and pool environments. The units are available in single color (blue, red, green & white). Use as Safety Light, Down Light, Highlight, Accent light. The 100 series is a modular system that allows you to add up to a total of 30 lighting fixtures

Technical Specifications:

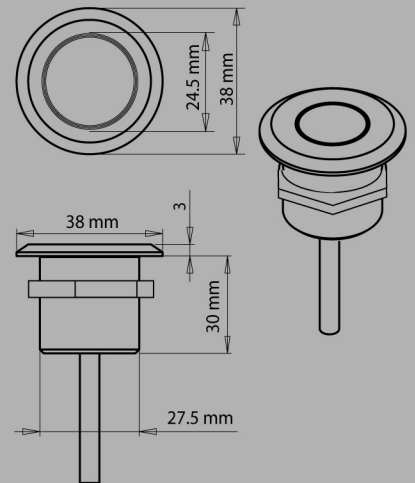
Color Range: White or Soft White (other colours available)
Light Source: UB LED (ultrabrite LED)
LED Quantity: single LED per Fixture
Beam Angle: 105 Degrees
Shell Material: 316 Marine Grade Stainless Steel
Connector: Waterproof low voltage Bi-Pin connector
Weight: 175 gms w/ leads each
Size: 38 mm Diameter x 33 mm High

Electrical Specifications:

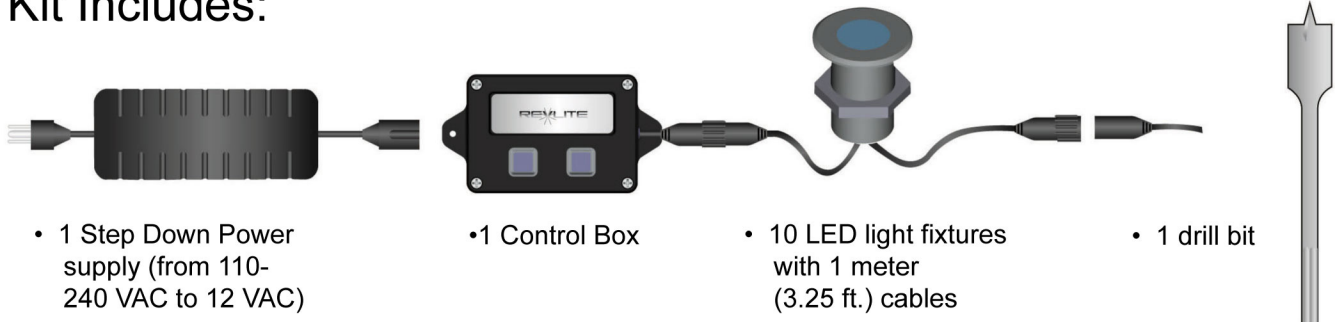
Operating Voltage: 12 VAC
Operating Current: 130 mA + 10 mA
Power Consumption: 0.6 Watts

Environmental Specifications:

Operating Temperature: -35 + 50°C
Protection Rating: IP 68



Kit Includes:



- 1 Step Down Power supply (from 110-240 VAC to 12 VAC)

- 1 Control Box

- 10 LED light fixtures with 1 meter (3.25 ft.) cables

- 1 drill bit